



Supplier for  
intralogistic  
products.



[inthergroup.com](http://inthergroup.com)

> Products



**IN THER**  
improving intralogistics

# Smart & flexible

The modular platform of Inther Conveyor Equipment (ICE) is unique due to the short installation and commissioning time. All components (both mechanical and electrical) come pre-installed in our modules, including cabling and the correct E-plan codes.

The smart and flexible modules are available in various widths and are suitable for transporting all common goods in intralogistics.

PRODUCT	PAGE
<b>CP501 Carton Pull Sorter</b>	4
CT01 Roller Conveyor Alignment 24V	6
<b>CT01 Roller Conveyor Curve 24V</b>	8
CT01 Roller Conveyor Merge 24V	10
<b>CT01 Roller Conveyor Straight 24V</b>	12
CT01 Roller Conveyor Straight Accumulating 24V	14
<b>CT01 Roller Conveyor Straight General 400V</b>	16
CT01 Roller Conveyor Straight Non Driven	18
<b>CT02 Belt Conveyor Decline 400V</b>	20
CT02 Belt Conveyor Incline 400V	22
<b>KP01 Pop-up Module 24V</b>	24
KP02 Transfer Module 24V	26

## Key features

- › Fully modular
- › Integrated and labeled cabling
- › Fast installation time





# CPS01 Carton Pull Sorter

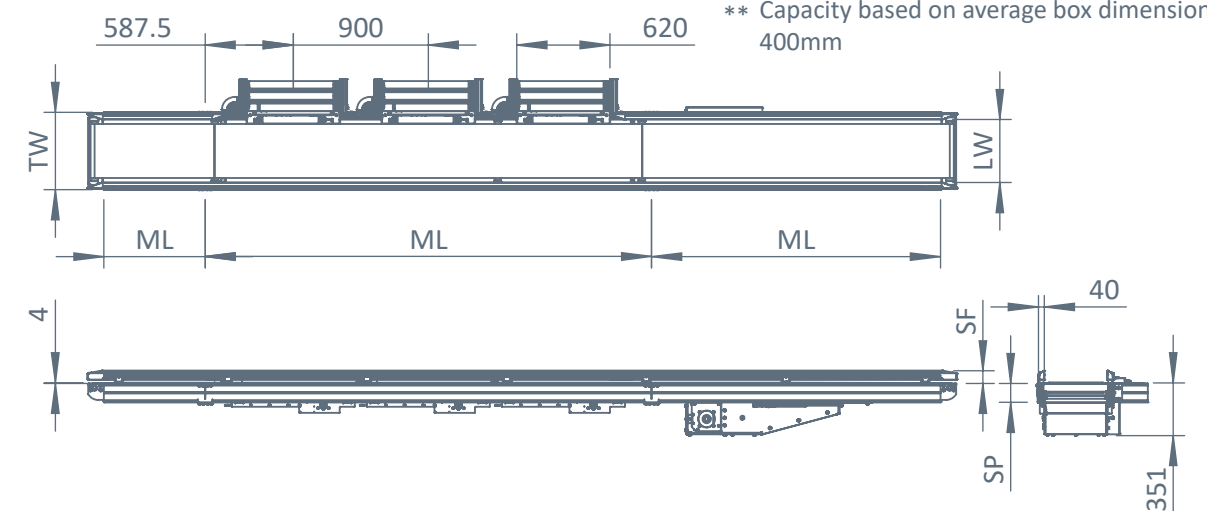


## Carton Pull Sorter

With the CPS01 Carton Pull Sorter it's possible to send out packages to sort. The package is pulled out by the driven roller which is covered with rubber for extra grip. The use of the outbound module means heavy mechanics are no longer needed. The Carton Pull Sorter is completely modular, which makes it easy to expand the number of outbound modules in the future.

### Technical specifications

<b>General information</b>		<b>Dimensions</b>	
Max. carrying weight	20 kg per carton*	LW effective width	420
Transport speed	Min. 0,21/max. 1,1 m/sec.	ML max. module length	10000 mm
Lockout speed	Min. 0,13/max. 1,28 m/sec.	TW module width	LW + 96 mm
Ambient temperature	+5°C to +40°C	SF side guide	80 mm
<b>Drive transport</b>		<b>Side profile</b>	
Voltage	400V AC/3-phase	SP Profile height	126 mm
Drive	General drive	<b>Rolling-out mechanism</b>	
Drive coupling	Toothed belt	Material	Steel 1.5 mm, galvanized, with PVC cover for grip
<b>Electric connection conveyor belt</b>		Diameter	50 mm
Connection voltage	400/480V AC 3-phase	Performance	Round head
Nominal current	1,0 - 2,8A	<b>Drive lockout mechanism</b>	
Sensor	Retroreflective, pre-installed and wired	Drive belts	1 DC engine
<b>Electric connection for closing mechanism</b>		Drive coupling	Round belts
Connection voltage	24V DC	Control	Eqube
Connection plug	Screw clamps	Power consumption per motor	3A (in use, Boost8 mode)
<b>Pneumatic connection (per closing mechanism)</b>		<b>Capacity</b>	
Conditioning	ISO8573-1:2010 (7:4:4)	Mechatronic capacity	2000 boxes per hour**
Required air pressure	6-8 bar	* Products to be excluded must be aligned on the side of the exclusion mechanisms prior to running up the conveyor belt	
Required compressed	0,20 l (8 bar) air per cycle	** Capacity based on average box dimensions of 400 x 400mm	



# CT01 Roller Conveyor Alignment 24V



## Alignment 24V

The CT01 Roller Conveyor Alignment 24V aligns materials to the left or to the right. There are many benefits to this alignment feature including, getting an ideal scanning position or correctly applying a label to the material.

- › Fully modular
- › Integrated and labeled cabling
- › Fast installation time

### Technical specifications

#### General information

Max. carrying weight	35 kg/zone
Transport speed	Min. 0,05/max. 2,2 m/sec.
Ambient temperature	+5°C to +40°C

#### Drive transport

Voltage	24V DC
Drive	1 motor roller per zone
Drive coupling	Round belts
Control	Conveylinx AI
Power consumption per engine	2A (Peak, ECO+ mode)

#### Electrical connection

Connection voltage	90-265V AC/1-phase
Connectivity	0,9A (240V AC)
Connection plug	7/8" Female, 3 pins
Work switch	Included
Sensor	Retro-reflective, installed and wired

#### Dimensions

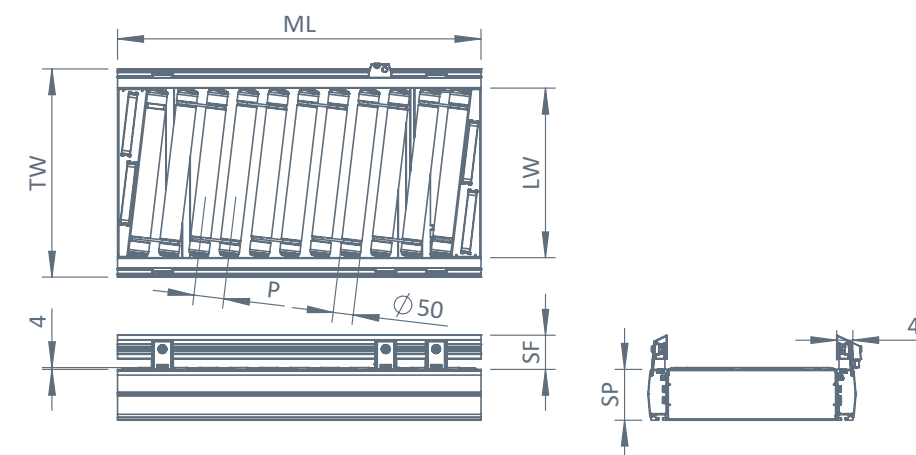
LW effective width	420/620 mm
ML module length	Max. 3000 mm
TW module width	LW + 96 mm
P roller pitch	75/100/125 mm
SF side guide	80 mm

#### Side profile

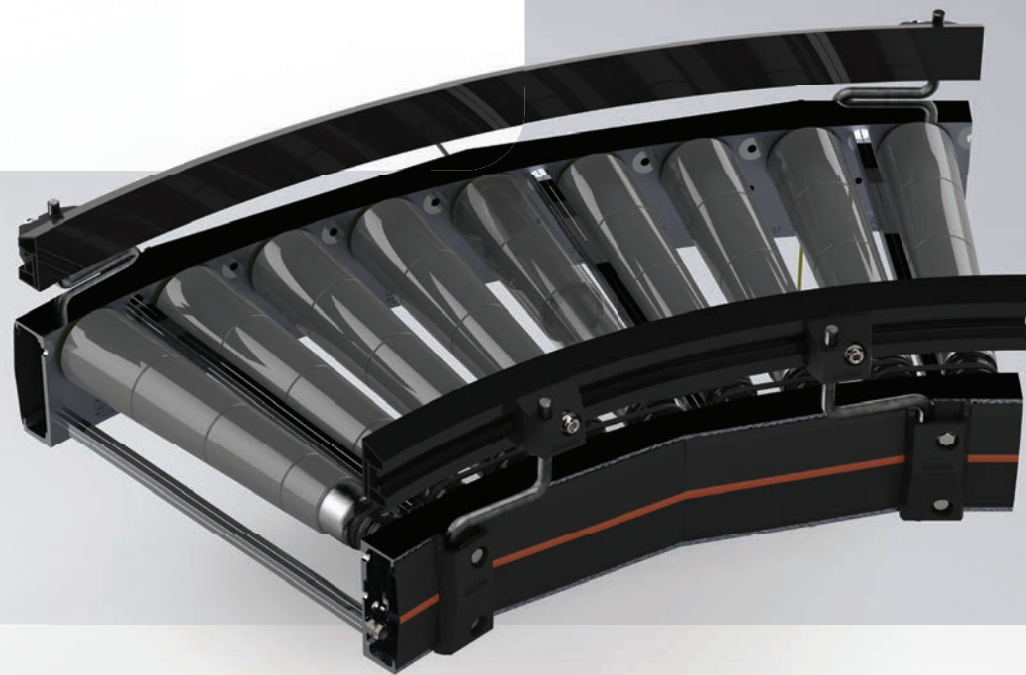
SP Profile height	126 mm
-------------------	--------

#### Rollers

Material	Steel 1,5 mm, galvanized
Diameter	50 mm
Performance	Round head



# CT01 Roller Conveyor Curve 24V



## Curve 24V

The CT01 Roller Conveyor Curve 24V transports materials automatically using a programmed controller. Each zone is driven by a motor roller that drives the non-driven rollers by means of belting.

- > Fully modular. The bend can be up to 15 degrees each time it's expanded. This is the only modular conveyor bend in the world!
- > Integrated and labeled cabling
- > Fast installation time

### Technical specifications

#### General information

Max. carrying weight	35 kg/zone
Transport speed	Min. 0,05/max. 2,2 m/sec.
Ambient temperature	+5°C to +40°C

#### Drive transport

Voltage	24V DC
Drive	1 motor roller per zone
Drive coupling	Round belts
Control	Conveylinx AI
Power consumption per engine	2A (Peak, ECO+ mode)

#### Electrical connection

Connection voltage	90-265V AC/1-phase
Connectivity	0,9A (240V AC)
Connection plug	7/8" Female, 3 pins
Work switch	Included
Sensor	Retro-reflective, installed and wired

#### Dimensions

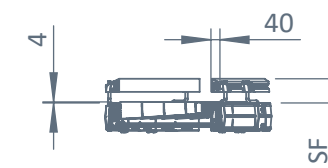
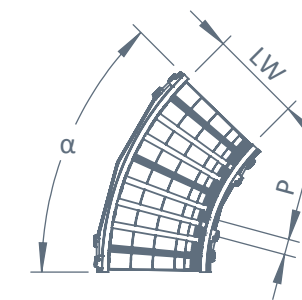
LW effective width	420/620 mm
$\alpha$ Corner	15° / 30° / 45° / 60° / 75° / 90°
TW module width	LW + 96 mm
P roller pitch inside bend	~ 72 mm
SF side guide	80 mm

#### Side profile

SP Profile height	126 mm
-------------------	--------

#### Rollers

Material	Steel 1.5 mm, galvanized, with conical sleeve made of polypropylene
Diameter	50 mm
Performance	Round head





# CT01 Roller Conveyor Merge 24V



## Merge 24V

The CT01 Roller Conveyor Merge 24V combines materials from two transport lines by sending the materials onto the track when there is an empty space in the material flow. The Merge 24V can also be used as an output path by using a KP01 Pop-up Module to send materials left or right.

- > Fully modular
- > Integrated and labeled cabling
- > Fast installation time

### Technical specifications

#### General information

Max. carrying weight	35 kg/zone
Transport speed	Min. 0,05/max. 2,2 m/sec.
Ambient temperature	+5°C to +40°C

#### Drive transport

Voltage	24V DC
Drive	1 motor roller per zone
Drive coupling	Round belts**
Control	Conveylinx AI
Power consumption per engine	2A (Peak, ECO+ mode)

#### Electrical connection

Connection voltage	90-265V AC/1-phase
Connectivity	0,9A (240V AC)
Connection plug	7/8" Female, 3 pins
Work switch	Included
Sensor	Retro-reflective, installed and wired

#### Dimensions

LW effective width	420/620 mm
ML max. module length	1128 mm (width 420 mm) 1428 mm (width 620 mm)
TW module width	LW + 96 mm
P roller pitch	75/100/125 mm
SF side guide	80 mm

#### Side profile

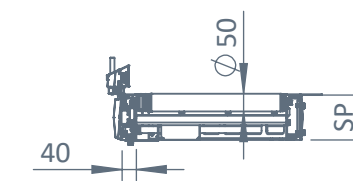
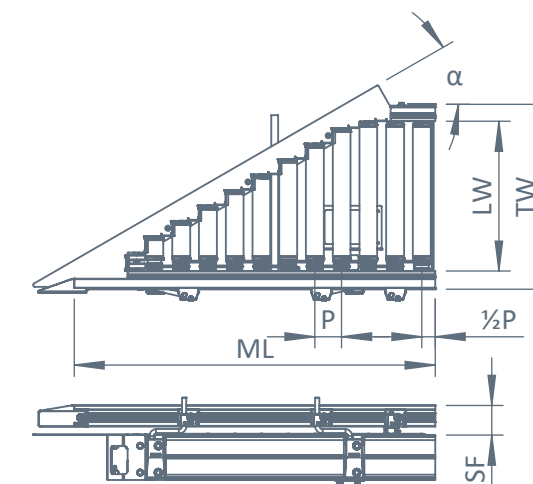
SP Profile height	126 mm
-------------------	--------

#### Rollers

Material	Steel 1,5 mm, galvanized*
Diameter	50 mm
Performance	Round head**

\* Optionally, the rollers can be provided with a friction layer

\*\* Optionally, the drive coupling and rollers can be equipped with a poly V-belt drive



# CT01 Roller Conveyor Straight 24V



## Straight 24V

The CT01 Roller Conveyor Straight 24V transports materials automatically with the aid of a programmed controller. Each zone is driven by a motor roller that drives the non-driven rollers by means of belting.

- › Fully modular
- › Integrated and labeled cabling
- › Fast installation time

### Technical specifications

#### General information

Max. carrying weight	35 kg/zone
Transport speed	Min. 0,05/max. 2,2 m/sec.
Ambient temperature	+5°C to +40°C

#### Drive transport

Voltage	24V DC
Drive	1 motor roller per zone
Drive coupling	Round belts**
Control	Conveylinx AI
Power consumption per engine	2A (Peak, ECO+ mode)

#### Electrical connection

Connection voltage	90-265V AC/1-phase
Connectivity	0,9A (240V AC)
Connection plug	7/8" Female, 3 pins
Work switch	Included
Sensor	Retro-reflective, installed and wired

#### Dimensions

LW effective width	420/620 mm
ML max. module length	Max. 3000 mm
TW module width	LW + 96 mm
P roller pitch	75/100/125 mm
SF side guide	80 mm

#### Side profile

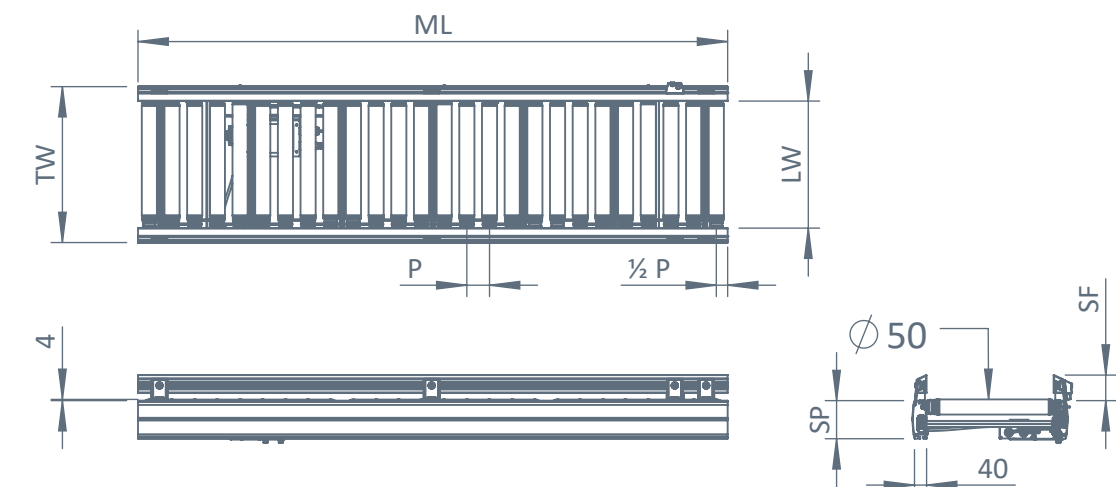
SP Profile height	126 mm
-------------------	--------

#### Rollers

Material	Steel 1,5 mm, galvanized*
Diameter	50 mm
Performance	Round head**

\* Optionally, the rollers can be provided with a friction layer

\*\* Optionally, the drive coupling and rollers can be equipped with a poly V-belt drive



# CT01 Roller Conveyor Straight Accumulating 24V



## Straight Accumulating 24V

The CT01 Roller Conveyor Straight Accumulating 24V automatically transports materials using a programmed controller. Each zone is driven by a motor roller that drives the non-driven rollers by means of belting. The Straight Accumulating 24V positions the materials with fixed interspaces on the roller conveyor.

- > Fully modular
- > Integrated and labeled cabling
- > Fast installation time

### Technical specifications

#### General information

Max. carrying weight	35 kg/zone
Transport speed	Min. 0,05/max. 2,2 m/sec.
Ambient temperature	+5°C to +40°C

#### Drive transport

Voltage	24V DC
Drive	1 motor roller per zone
Drive coupling	Round belts**
Control	Conveylinx AI
Power consumption per engine	2A (Peak, ECO+ mode)

#### Electrical connection

Connection voltage	90-265V AC/1-phase
Connectivity	0,9A (240V AC)
Connection plug	7/8" Female, 3 pins
Work switch	Included
Sensor	Retro-reflective, installed and wired

#### Dimensions

LW effective width	420/620 mm
ML max. module length	3000 mm
TW module width	LW + 96 mm
P roller pitch	75/100/125 mm
SF side guide	80 mm

#### Side profile

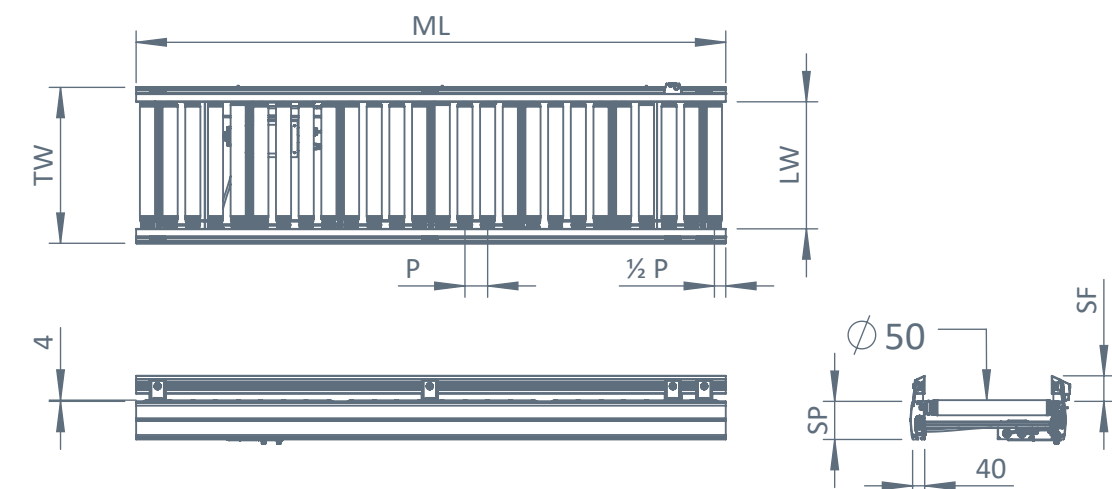
SP Profile height	126 mm
-------------------	--------

#### Rollers

Material	Steel 1,5 mm, galvanized*
Diameter	50 mm
Performance	Round head**

\* Optionally, the rollers can be provided with a friction layer

\*\* Optionally, the drive coupling and rollers can be equipped with a poly V-belt drive





# CT01 Roller Conveyor Straight General 400V



## Straight General 400V

The CT01 Roller Conveyor Straight General 400V transports materials via one central drive. The rollers are driven via a belt.

- > Fully modular
- > Integrated and labeled cabling
- > Fast installation time

### Technical specifications

#### General information

Max. carrying weight	35 kg/zone
Transport speed	Min. 0,23/max. 1,2 m/sec.
Ambient temperature	+5°C to +40°C

#### Drive transport

Drive	General drive 400V
Drive coupling	Flat belt, 30 mm width

#### Electrical connection

Connection voltage	400/480V AC 3-phase
Nominal current	1.0A (up to 10 m long) 2.8A (from 10 m long)
Sensor	Retro-reflective, installed and wired

#### Dimensions

LW effective width	420/620 mm
ML max. module length	21000 mm
TW module width	LW + 96 mm
P roller pitch	75/100 mm
SF side guide	80 mm

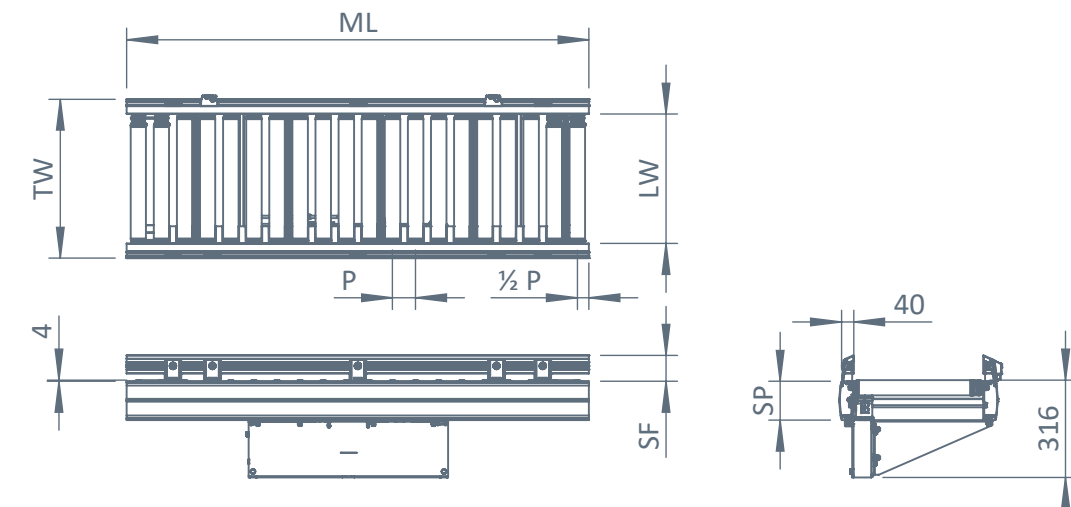
#### Side profile

SP Profile height	126 mm
-------------------	--------

#### Rollers

Material	Steel 1,5 mm, galvanized*
Diameter	50 mm
Performance	Massive

\* Optionally, the rollers can be provided with a friction layer



# CT01 Roller Conveyor Straight Non Driven



## Straight Non Driven

The CT01 Roller Conveyor Straight Non Driven is a gravity conveyor where materials are transported by hand or by means of gravity down a slope. This conveyor is often used for areas where materials are collected or set up manually.

### Technical specifications

#### General information

Max. carrying weight	35 kg
Ambient temperature	+5°C to +40°C

#### Dimensions

LW effective width	420/620 mm
ML max. module length	3000 mm
TW module width	LW + 96 mm
P roller pitch	75/100/125 mm
SF side guide	80 mm

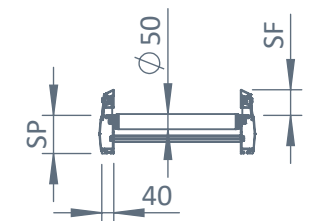
#### Side profile

SP Profile height	126 mm
-------------------	--------

#### Rollers

Material	Steel 1,5 mm, galvanized*
Diameter	50 mm

\* Optionally, plastic rollers can be used, these have a lower rolling resistance (for less heavy products)





# CT02 Belt Conveyor Decline 400V



## Decline 400V

The CT02 Belt Conveyor Decline 400V transports materials using a driven conveyor belt. With this module it is possible for materials to descend from a higher level.

- > Fully modular
- > Integrated and labeled cabling
- > Fast installation time

### Technical specifications

#### General information

Max. carrying weight	50 kg/m
Transport speed	Min. 0,23/max. 1,2 m/sec.
Max. lowering angle	18°
Ambient temperature	+5°C to +40°C

#### Drive transport

Drive	General Drive 400V
Drive coupling	Toothed belt

#### Electrical connection

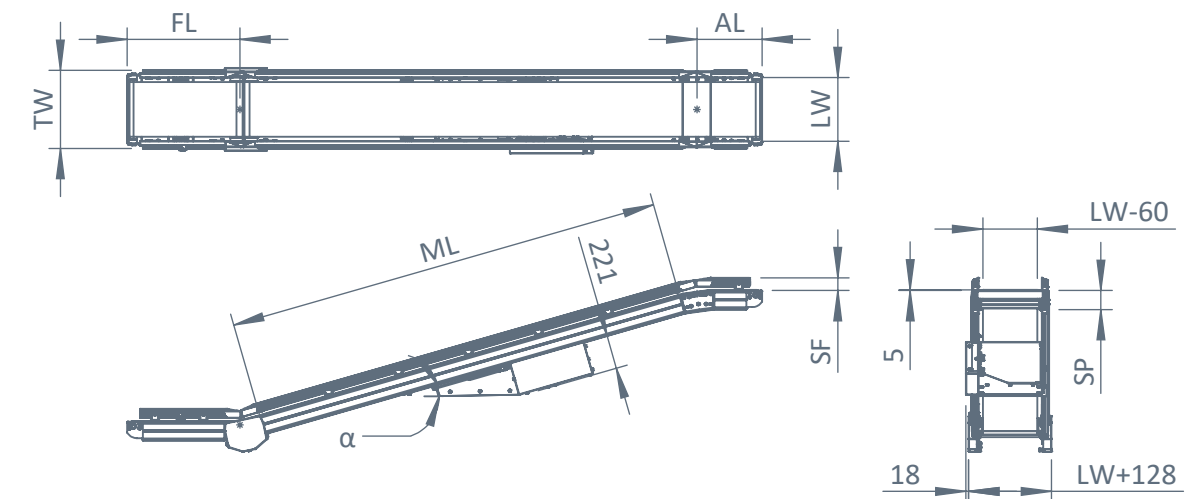
Connection voltage	400V AC/3-phase
Nominal current	1,0A - 2,8A
Sensor	Retro-reflective, installed and cabled

#### Dimensions

LW effective width	420/620 mm
ML max. module length	21000 mm
TW module width	LW + 96 mm
SF side guide	80 mm
FL Feed length	747 - 1047 mm
AL Arch length	433 - 733 mm
$\alpha$ lowering angle	0° - 18°

#### Side profile

SP Profile height	126 mm
-------------------	--------



# CT02 Belt Conveyor Incline 400V



## Incline 400V

The CT02 Belt Conveyor Incline 400V transports materials using a driven conveyor belt. With this module it is possible for materials to ascend to a higher level.

- > Fully modular
- > Integrated and labeled cabling
- > Fast installation time

### Technical specifications

#### General information

Max. carrying weight	50 kg/m
Transport speed	Min. 0,23/max. 1,2 m/sec.
Max. rise angle	18°
Ambient temperature	+5°C to +40°C

#### Drive transport

Drive	General Drive 400V
Drive coupling	Toothed belt

#### Electrical connection

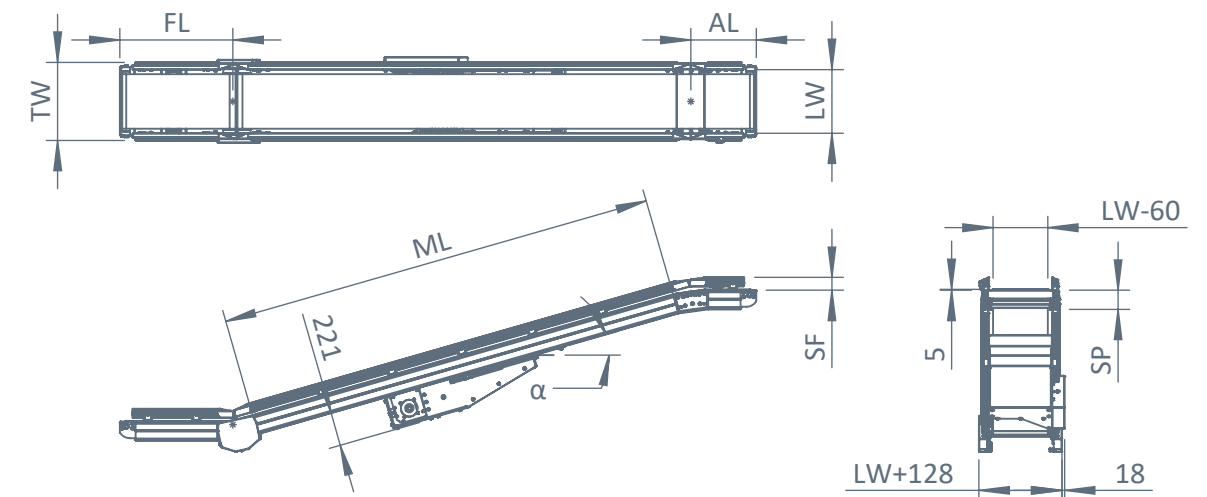
Connection voltage	400V AC/3-phase
Nominal current	1,0A - 2,8A
Sensor	Retro-reflective, installed and cabled

#### Dimensions

LW effective width	420/620 mm
ML max. module length	21000 mm
TW module width	LW + 96 mm
SF side guide	80 mm
FL Feed length	747 - 1047 mm
AL Arch length	433 - 733 mm
$\alpha$ rise angle	0° - 18°

#### Side profile

SP Profile height	126 mm
-------------------	--------





# KP01 Pop-up Module 24V



## Pop-up Module 24V

The KP01 Pop-up Module 24V is used to channelize materials to the left and/or right to another module. This is done at an angle of 30 degrees.

- > Fully modular
- > Integrated and labeled cabling
- > Fast installation time

### Technical specifications

#### General information

Max. carrying weight	35 kg/m
Transport speed	Min. 0,16/max. 1,2 m/sec.
Lockout speed	Min. 0,16/max. 1,2 m/sec.
Ambient temperature	+5°C to +40°C

#### Drive transport

Voltage	24V DC
Drive	2 motor rollers
Drive clutch transmission	Round belts
Control	Conveylinx AI
Power consumption per engine	2A (Peak, ECO+ mode)

#### Popup drive wheels

Voltage	24V DC
Drive belts	2 DC engines
Drive clutch transmission	Round belts
Control	Conveylinx AI
Power consumption per engine	3A (in use, Boost8 mode)

#### Electrical connection

Connection voltage	90-265V AC/1-phase
Connectivity	0,9A (240V AC)
Connection plug	7/8" Female, 3 pins
Work switch	Included
Sensor	Retro-reflective, installed and cabled

#### Dimensions

LW effective width	420/620 mm
ML module length	1425 mm (width 420 mm) 1800 mm (width 620 mm)
TW module width	LW + 96 mm
P roller pitch	75 mm
SF side guide	80 mm

#### Side profile

SP Profile height	126 mm
-------------------	--------

#### Pneumatic connection

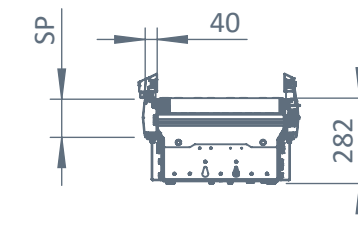
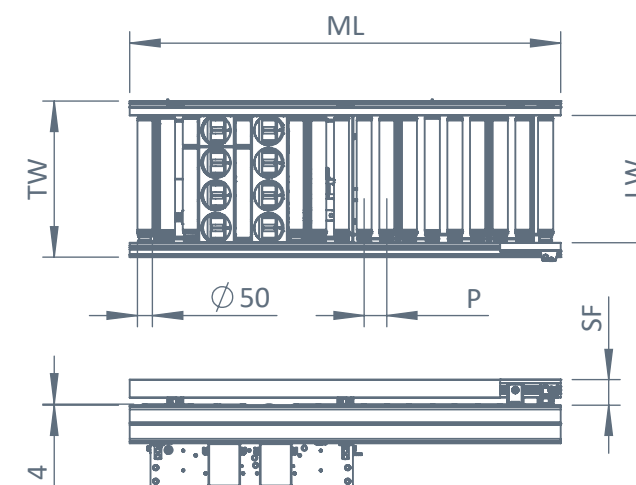
Conditioning	ISO8573-1:2010 (7:4:4)
Required air pressure	6-8 bar
Required compressed air	0,45 l (8 bar) per cycle

#### Popup wheels

Number of wheels	2 rows of 4 rolls (width 420 mm) 2 rows of 6 rolls (width 620 mm)
Diameter	60 mm
Material	Polyurethane
Lock Angle	30°

#### Rollers

Material	Steel 1,5 mm, galvanized
Diameter	50 mm
Performance	Round head



# KPO2 Transfer Module 24V



## Transfer Module 24V

The KPO2 Transfer Module 24V is used to channel materials in or out of another conveyor using cassettes. This is done at an angle of 90 degrees.

- > Fully modular
- > Integrated and labeled cabling
- > Fast installation time

### Technical data

#### General information

Max. carrying weight	35 kg/zone
Transport speed	Min. 0,05/max. 2,2 m/sec.
Lockout speed	Min. 0,11/max. 1,85 m/sec.
Ambient temperature	+5°C to +40°C

#### Drive transport

Voltage	24V DC
Drive	1 motor roller
Drive coupling	Round belts
Control	Conveylinx AI
Power consumption per engine	2A (Peak, ECO+ mode)

#### Drive cassettes

Voltage	24V DC
Drive belts	2 motor rollers (mechanically coupled)
Drive coupling	Poly-V belt
Control	Conveylinx AI
Power consumption per engine	3A (in use, Boost8 mode)

#### Belt cassettes

Number of cassettes	2/7 pieces
Performance	Single-sided/double-sided
Pitch	80 mm

#### Electrical connection

Connection voltage	90-265V AC/1-phase
Connectivity	0,9A (240V AC)
Connection plug	7/8" Female, 3 pins
Work switch	Included
Sensor	Retroreflective, installed and wired

#### Pneumatic connection

Conditioning	ISO8573-1:2010 (7:4:4)
Required air pressure	6-8 bar
Required compressed air	0,78 l (8 bar) per cycle

#### Dimensions

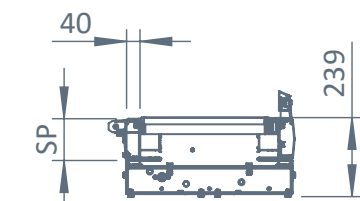
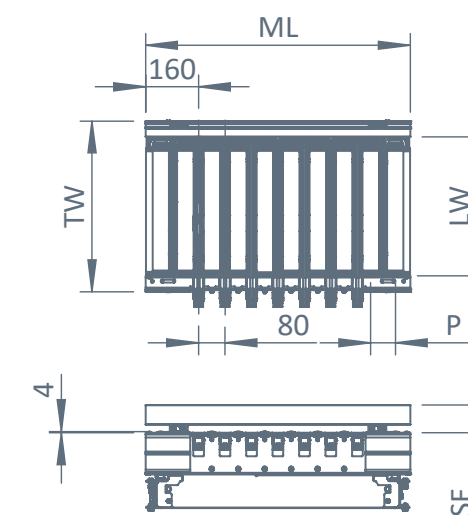
LW effective width	420/620 mm
ML module length	800 mm
TW module width	LW + 96 mm
P roller pitch	75 mm
SF side guide	80 mm

#### Side profile

SP Profile height	126 mm
-------------------	--------

#### Rollers

Material	Steel 1,5 mm, galvanized
Diameter	50 mm
Performance	Round head





# Inther Group

## Improving intralogistics

 The Netherlands (HQ)

 Germany

 Belgium

 Moldova

 USA

 China  
› Shanghai  
› Suzhou



[info@inthergroup.com](mailto:info@inthergroup.com)  
[www.inthergroup.com](http://www.inthergroup.com)

**INTHER**  
improving intralogistics